



# CP-2X

## Stationary Horizontal Compactor

### Specifications

Manufacturer's Rated Size	2 Cubic Yards
Rated Size	1.81 Cubic Yards
Cycle Time	62 Seconds
Capacity Per Hour	105.10 Yards
Clear Top Opening (L x W)	39 1/8" x 57 1/2"
Ram Face Dimensions (W x H)	59 3/4" x 29 3/4"
Ram Penetration	8"
Cylinder Bore, Rod & Stroke	(Twin) 5" x 2 1/2" x 42"
Operating Pressure	
Normal	1500 PSI
Maximum	2000 PSI
Ram Force Rating	
Normal	29.37 PSI / 52,206 Lbs
Maximum	39.16 PSI / 69,608 Lbs
Motor (HP)	10 HP
Pump (GPM)	12 GPM
Tank Capacity	20 Gallons
Shipping Weight	5,624 Lbs (approx)

### Construction

<b>Frame</b>	
Floor – AR Plate	1/2"
Floor Plate Supports	3" – 4.1 Lb Channel
Side Plates	1/4"
Side Reinforcements	6" x 3" x 1/4" Tube
Breaker Bar	6" x 3" x 1/2" Angle
	Reinforced
Ram Hold Down Bars	1 1/4" x 1 1/4" Bar
Load Binder Hook-Up	126,000 Lbs Capacity
<b>Ram</b>	
Face Plate	3/4"
Floor – AR Plate	1/2"
Side Plates	3/8"
Top Plate	1/4"
Top Plate Reinforcement	3" – 4.1 Lb Channel

All Specifications are subject to change without notice

### Installation Requirements



### Minimum Recommended Requirements:

- Concrete Pad: 10' x 32' (May be made larger to suit)  
4,000 PSI Reinforced, 6" Thick
- (4) 3/4" x 4 3/4" Anchor Bolts

### Minimum Clearance Requirements:

- 12" From Back of Compactor to Wall
- 36" From Right & Left of Compactor to Wall

### Electrical Disconnect Requirements

10 HP Motor		
Voltage	Amperage	Fuse
208	60	50
240	60	40
480	30	20

### Available Options

- Hoppers & Enclosures – Any Configuration
- Through – Wall Chute & Door Framework
- Standard & Full Container Guides
- Compactor Access Systems
- Drive-on Ramp
- Cart Dumper
- Wheel Wear Plates
- Oil Heater

All Compactors can be customized to Accommodate Any Clear Top Opening

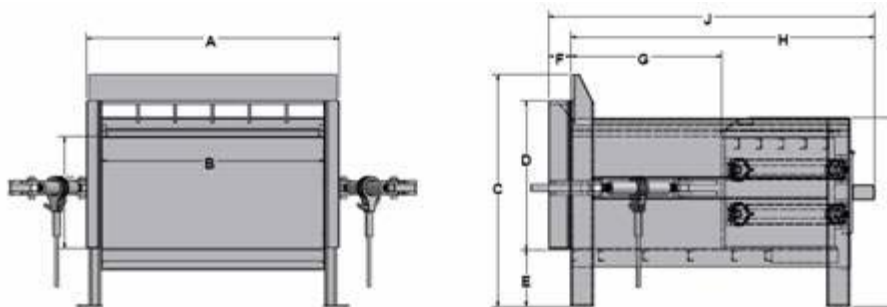


Illustration for reference

A	B	C	D	E	F	G	H	I	J	Capacity
68"	60"	62 1/2"	40 1/4"	15"	6"	40 3/4"	81 3/4"	51"	87 3/4"	2 Yards