



CP-4HD

Stationary Horizontal Compactor

Specifications

Manufacturer's Rated Size	3 Cubic Yards
Rated Size	2.46 Cubic Yards
Cycle Time	69 Seconds
Capacity Per Hour	128.85 Yards
Clear Top Opening (L x W)	66" x 57 1/2"
Ram Face Dimensions (W x H)	59 3/4" x 29 7/8"
Ram Penetration	14"
Cylinder Bore, Rod & Stroke	7" x 4 1/2" x 78"
Operating Pressure	
Normal	1500 PSI
Maximum	2000 PSI
Ram Force Rating	
Normal	32.34 PSI / 57,727 Lbs
Maximum	43.12 PSI / 76,969 Lbs
Motor (HP)	20 HP
Pump (GPM)	18 GPM
Tank Capacity	60 Gallons
Shipping Weight	9,025 Lbs (approx)

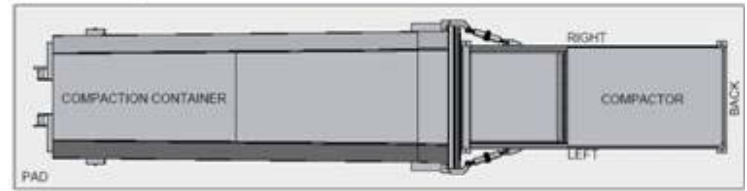
Construction

Frame	
Floor – AR Plate	1/2"
Floor Plate Supports	4" – 5.4 Lb Channel
Side Plates	3/8"
Side Reinforcements	6" x 3" x 1/4" Tube
Breaker Bar	Twin 6" x 3" x 3/8" Tube
Ram Hold Down Bars	1 1/4" x 1 1/4" Bar
Load Binder Hook-Up	126,000 Lbs Capacity
Ram	
Face Plate	1"
Floor – AR Plate	3/4"
Side Plates	3/4"
Top Plate	3/8"
Top Plate Reinforcement	4" – 5.4 Lb Channel

All Specifications are subject to change without notice

Installation Requirements

Typical Installation Layout



Minimum Recommended Requirements:

- Concrete Pad: 10' x 40' (May be made larger to suit)
4,000 PSI Reinforced, 6" Thick
- (4) 3/4" x 4 3/4" Anchor Bolts

Minimum Clearance Requirements:

- 12" From Back of Compactor to Wall
- 36" From Right & Left of Compactor to Wall

Electrical Disconnect Requirements

20 HP Motor		
Voltage	Amperage	Fuse
208	100	80
240	100	70
480	60	40

Available Options

- Hoppers & Enclosures – Any Configuration
- Through – Wall Chute & Door Framework
- Standard & Full Container Guides
- Pre-Crusher
- Compactor Access Systems
- Drive-on Ramp
- Cart Dumper
- Wheel Wear Plates
- Oil Heater
- Larger Power Units

All Compactors can be customized to Accommodate Any Clear Top Opening

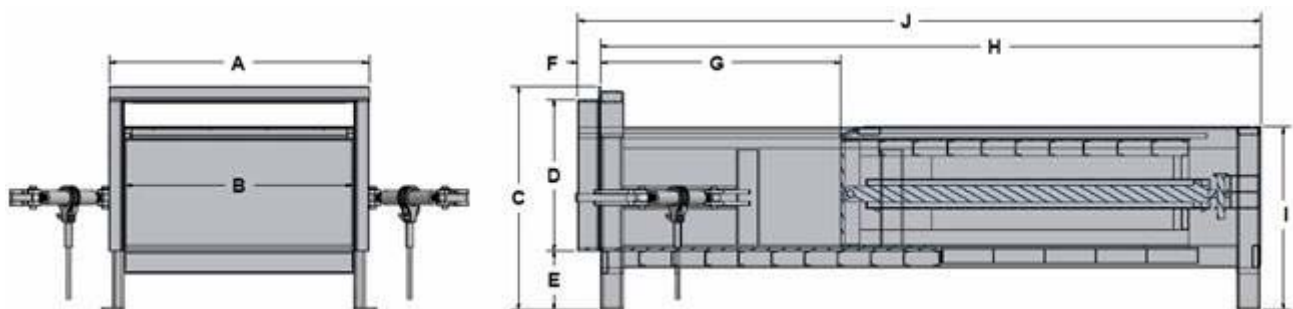


Illustration for reference

A	B	C	D	E	F	G	H	I	J	Capacity
68"	60"	57 3/4"	38 3/4"	15"	6"	66"	186 3/8"	48 3/16"	192 3/8"	3 Yards