



# SC-30

## Self-Contained Compactor

### Specifications

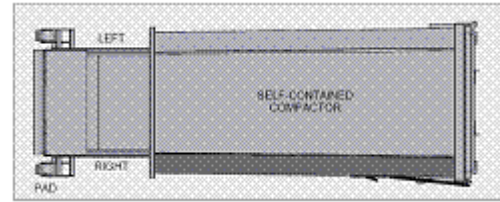
|                             |                        |
|-----------------------------|------------------------|
| Manufacturer's Rated Size   | 1.50 Cubic Yards       |
| Rated Size                  | 1.30 Cubic Yards       |
| Cycle Time                  | 35 Seconds             |
| Capacity Per Hour           | 133.71 Yards           |
| Clear Top Opening (L x W)   | 30 5/8" x 57 1/2"      |
| Ram Face Dimensions (W x H) | 59 3/4" x 29 3/4"      |
| Ram Penetration             | 12"                    |
| Cylinder Bore, Rod & Stroke | (Twin) 4" x 2" x 36"   |
| Operating Pressure          |                        |
| Normal                      | 1500 PSI               |
| Maximum                     | 2000 PSI               |
| Ram Force Rating            |                        |
| Normal                      | 18.34 PSI / 32,744 Lbs |
| Maximum                     | 24.46 PSI / 43,658 Lbs |
| Motor (HP)                  | 10 HP                  |
| Pump (GPM)                  | 12 GPM                 |
| Tank Capacity               | 20 Gallons             |
| Shipping Weight             | 11,200 Lbs (approx)    |

### Construction

|                      |                     |
|----------------------|---------------------|
| <b>Frame</b>         |                     |
| Floor – AR Plate     | 1/2"                |
| Floor Plate Supports | 3" – 4.1 Lb Channel |
| Side Plates          | 1/4"                |
| Side Reinforcements  | 2" x 4" x 1/4" Tube |
| Breaker Bar          | 4" x 4" x 3/8" Tube |
| Ram Hold Down Bars   | 1 1/4" x 1 1/4" Bar |
| <b>Ram</b>           |                     |
| Face Plate           | 3/4"                |
| Floor – AR Plate     | 1/2"                |
| Side Plates          | 3/8"                |
| Top Plate            | 1/4"                |
| Sliding Plate        | 3/8"                |

All Specifications are subject to change without notice

### Installation Requirements



#### Minimum Recommended Requirements:

- Concrete Pad: 10' x 24' (May be made larger to suit)  
4,000 PSI Reinforced, 6" Thick

#### Minimum Clearance Requirements:

- 12" From Back of Compactor to Wall
- 36" From Right & Left of Compactor to Wall

### Electrical Disconnect Requirements

| 10 HP Motor |          |      |
|-------------|----------|------|
| Voltage     | Amperage | Fuse |
| 208         | 60       | 50   |
| 240         | 60       | 40   |
| 480         | 30       | 20   |

### Standard Features

- 80% & 100% Full Indicator Lights
- Quick Disconnect Hydraulic Hoses
- Pressure Gage
- NEMA 4 Control Enclosure
- Guide Rails & Stops
- 4 Inch Clean Out

### Available Options

- Hoppers & Enclosures – Any Configuration
- Interlock and Security Doors
- Oil Heater
- Power Unit Cover
- Remote Operation
- Custom Sizes

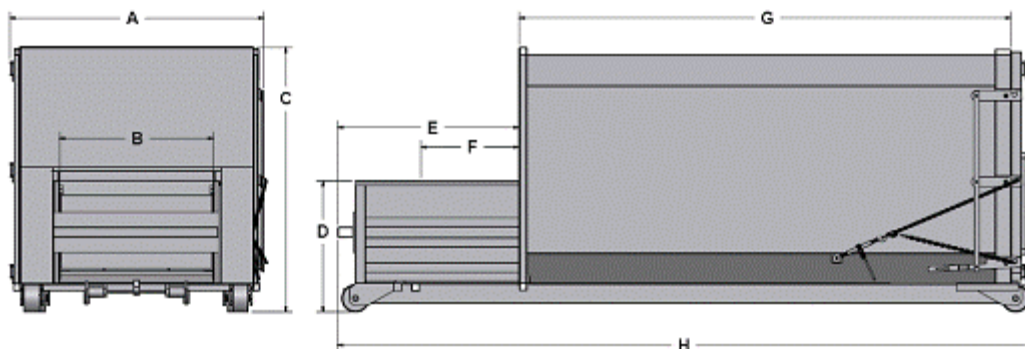


Illustration for reference

| A       | B   | C        | D   | E   | F       | G    | H        | Capacity |
|---------|-----|----------|-----|-----|---------|------|----------|----------|
| 99 1/4" | 60" | 104 1/2" | 52" | 71" | 30 5/8" | 204" | 283 1/2" | 30 Yards |