



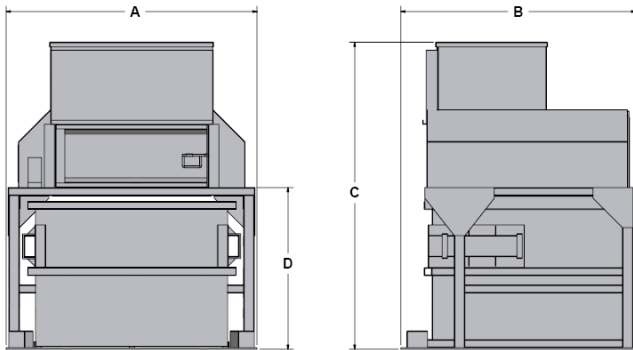
VP Series

Stationary Vertical Compactors

Specifications

Manufacturer's Rated Size	1.8 Cubic Yards
Rated Size	1.1 Cubic Yards
Cycle Time	59 Seconds
Feed Opening (L x H)	56" x 23"
Ram Dimensions (L x W)	60" x 40"
Ram Penetration	14"
Cylinder Bore, Rod & Stroke	(Twin) 4" x 2" x 36"
Operating Pressure	
Normal	1500 PSI
Maximum	2000 PSI
Ram Force Rating	
Normal	13.7 PSI / 32,870 Lbs
Maximum	17.66 PSI / 42,386 Lbs
Motor (HP)	5 HP
Pump (GPM)	7 GPM
Tank Capacity	20 Gallons
Shipping Weight	7,000 Lbs

All Specifications are subject to change without notice



Model	A	B	C	D	Capacity
VP-3	94"	88"	97"	45"	3 Yards
VP-4	94"	88"	97"	43"	4 Yards
VP-6	94"	88"	115"	61"	6 Yards
VP-8	94"	88"	133"	79"	8 Yards
VP-8LP	94"	103"	115"	61"	8 Yards

Electrical Disconnect Requirements

5 HP Motor		
Voltage	Amperage	Fuse
208	30	25
240	30	20
480	30	10

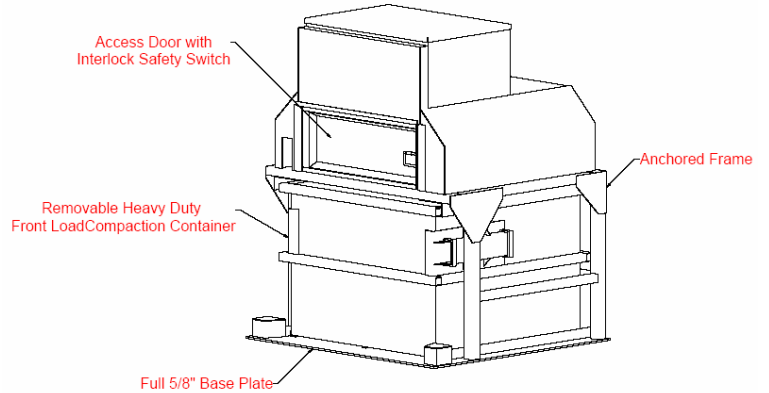


Illustration for reference only

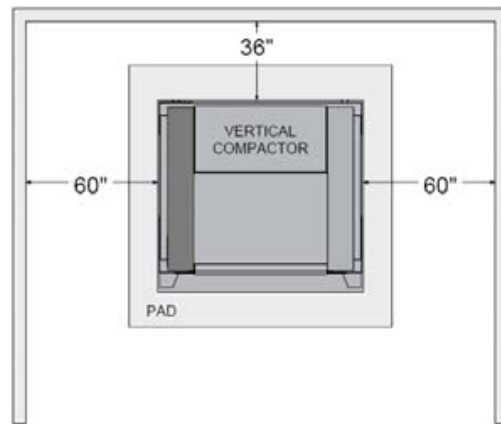
Installation Requirements

Minimum Recommended Requirements:

- Concrete Pad: 10' x 10' (May be made larger to suit)
4,000 PSI Reinforced, 6" Thick
- (6) 3/4" x 4 3/4" Anchor Bolts

Minimum Clearance Requirements:

- Concrete Pad: 10' x 10' (May be made larger to suit)
4,000 PSI Reinforced, 6" Thick
- (6) 3/4" x 4 3/4" Anchor Bolts



Available Options

- Platforms – Any Configuration
- Stairway & Hand Rail
- Side, Front, or Rear Load Configurations Available
- Customization Available